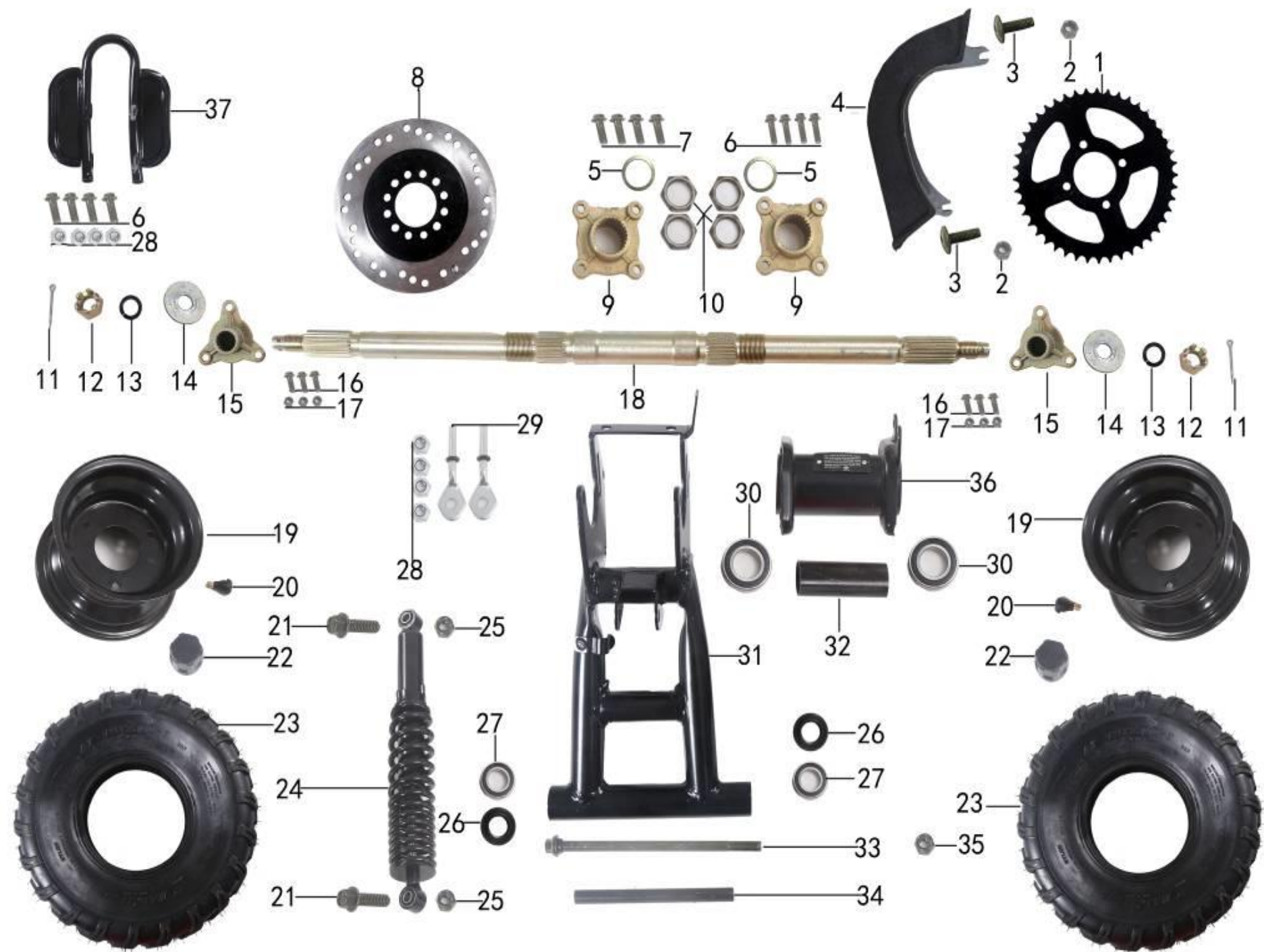


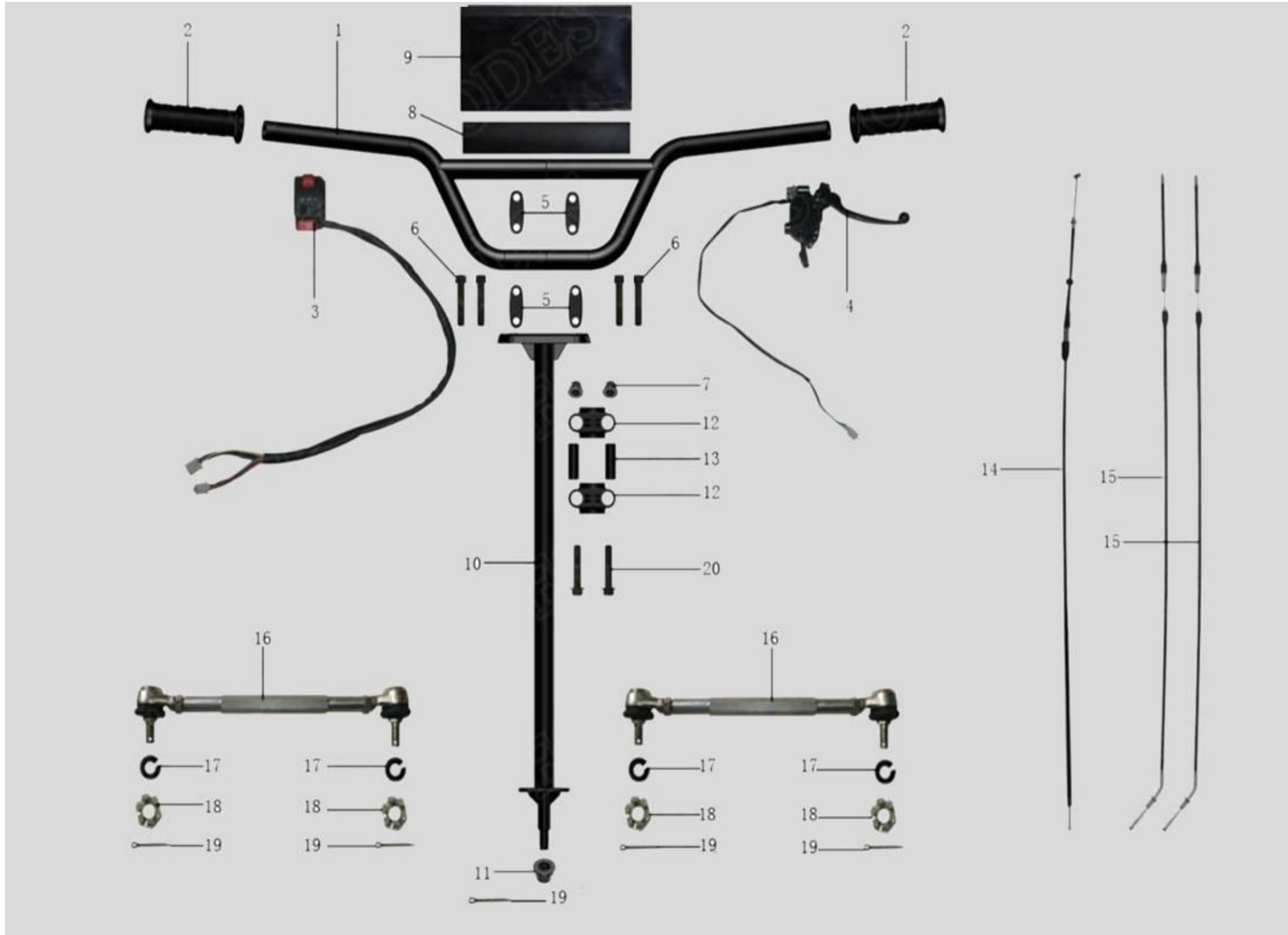


SHSCHEMATICS AND PARTS LIST



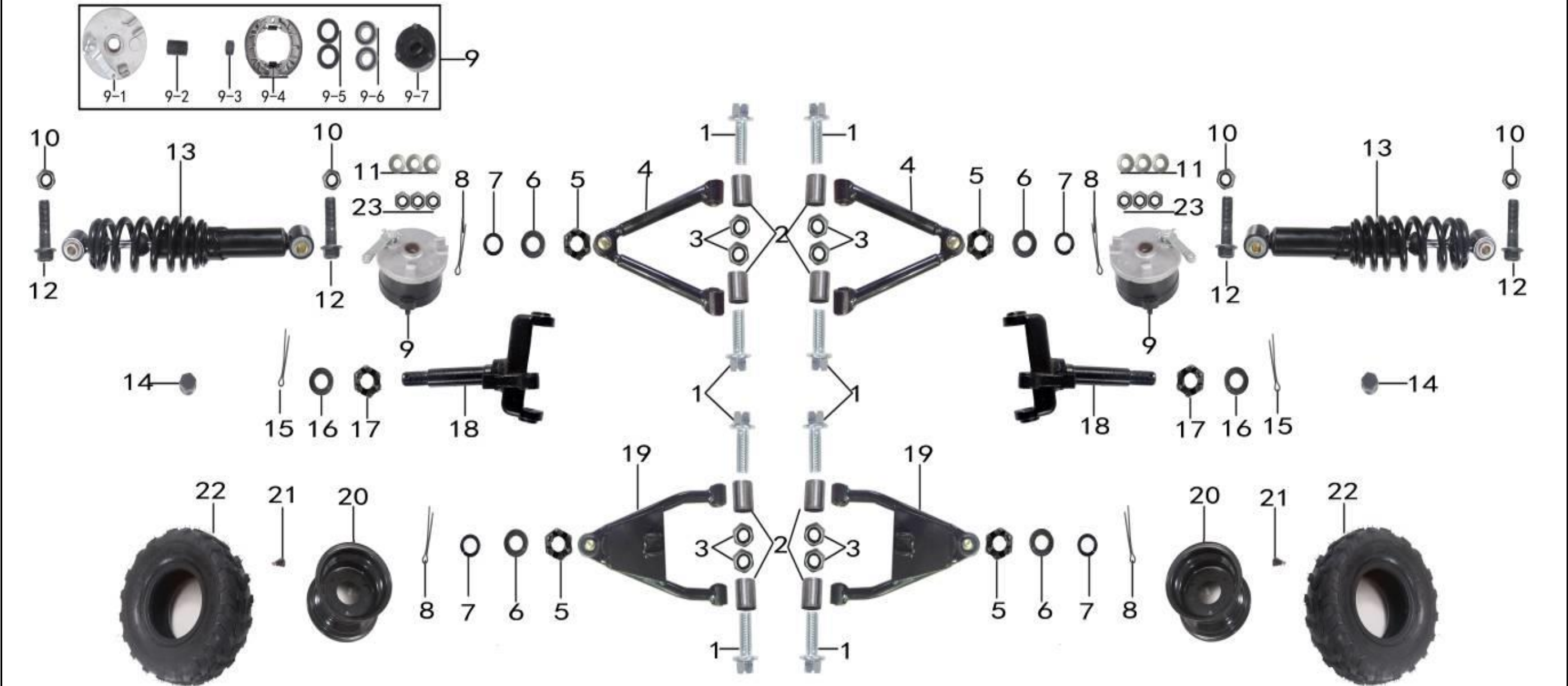
Rear suspension system

No.	English name	Specification	Qty	ERP No.	No.	English name	Specification	Qty	ERP No.
1	Rear Sprocket	428# 45齿	1	101591	25	Locknut; M10×1.25	M10×1.25	2	105254
2	Self-locking nuts	M6	2	105885	26	Ball Bearing; 6006	6006RZ	2	102817
3	Cross Mushroom Head Screw	M6×16	2	105945	27	Bushing for Rear Swing Arm		2	109191
4	Chain Cover	外购	1	101663	28	Locknut; M8	M8	8	105277
5	Rear Axle Washer; φ27	φ27	2	600804	29	Chain Adjuster; M8×40	M8×40	2	105926
6	Hex Flange Bolt;	M8*14	8	105187	30	Ball Bearing; 6001	6001	2	102818
7	Hex Flange Bolt;	M8*16	4	105195	31	ATV Swing Arm	自制	1	109824
8	Brake Disc; φ190×3.5 4 Bolts	φ190×3.5 四孔	1	600552	32	Axle Spacers	φ35*φ*31*89.5	1	600540
9	Brake Disc/Sprocket Hub	通用	1	100866	33	Rear Swing Arm Axle;	M12×230×1.25	1	105067
10	Hex Nut; M27×1.5	M27×1.5	4	104862	34	Swing Arm Bushing;	φ16×φ13.6×172	1	101040
11	Cotter Pin	φ3×40	2	105340	35	Locknut; M12×1.25	M12*1.25	1	105259
12	Castle Nut;	M20×1.5	2	105334	36	Rear Axle Carrier	自制	1	109837
13	Spring Washer	M20	2	104876	37	Rear Axle Hub	自制	1	109836
14	Flat Washer; φ14*φ40*2	φ20×φ48×3	2	105414					
15	Rear Rim Hub		2	100868					
16	Hex Flange Bolt;	M10*25*1.5	6	104984					
17	Locknut; M10*1.5	M10*1.5	6	105255					
18	Rear Axle		1	101303					
19	Rim- Front; 7"	7寸大孔	2	110118					
20	Valve Stems	通用	2	100537					
21	Hex Flange Bolt; M10x1.25x50	M10*1.25*50	2	105013					
22	Dust Cover	通用	2	108326					
23	7" Tire; 16×8-7	16×8-7	2	102747					
24	Spring Coil Suspension(Single) 280mm; 11 in	280mm	1	101171					

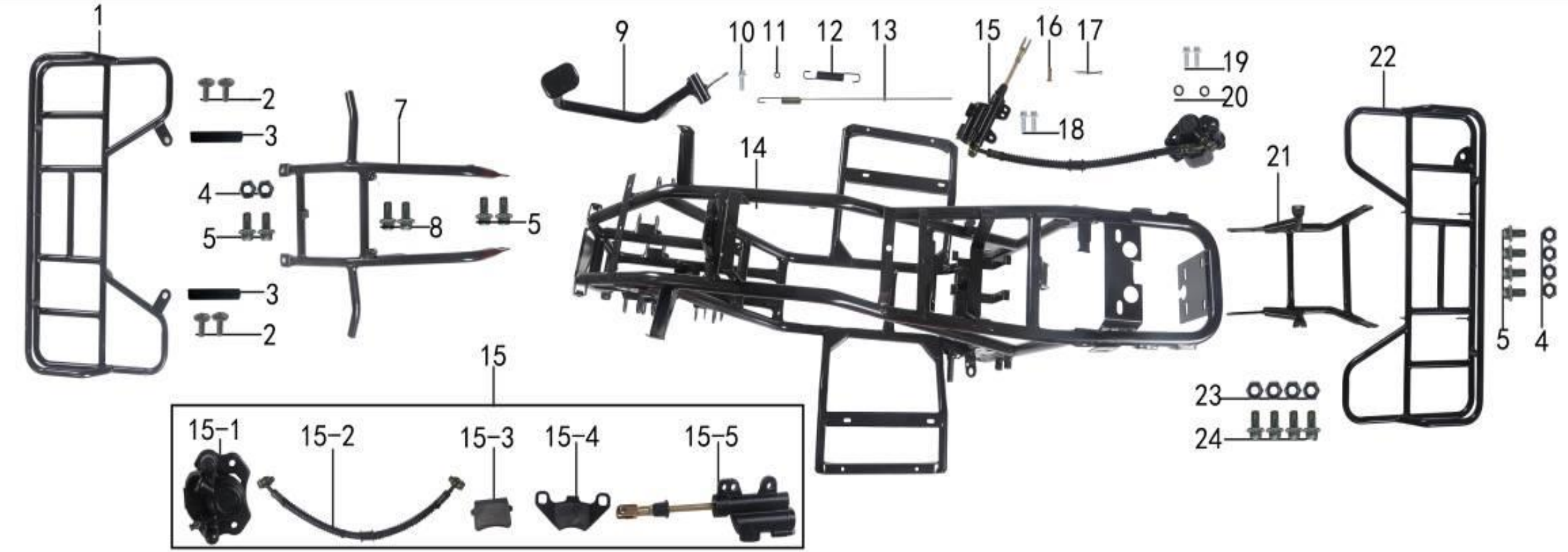


Steering system

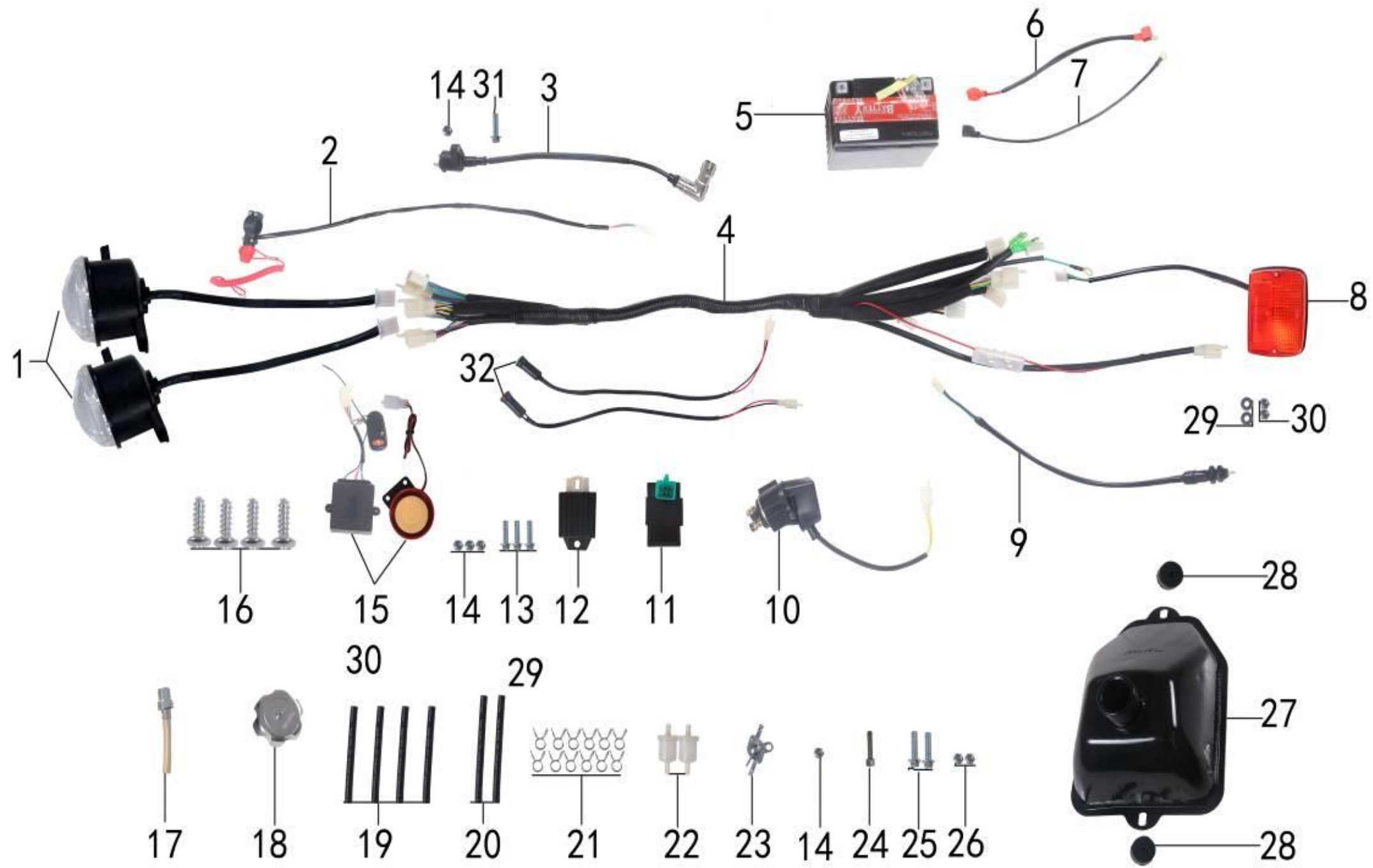
No.	English name	Specification	Qty	ERP No.	No.	Chinese name	English name	Specification	Qty	ERP No.	Price
1	Handle Bar		1	104638							
2	Hand Grip/Throttle Grip	通用	2	100280							
3	Handle Bar Switch	三功能	1	101062							
4	Brake/Throttle Control Assemblies for All ATVs	通用	1	109414							
5	Handle Bar Clamp	通用	4	101676							
6	Hex Socket Bolt; M8*45	M8*45	2	105854							
7	Locknut; M8	M8*1.25	2	105277							
8	Handle Bar Sponge	Φ46*Φ14*190	1	107266							
9	Handle Bar Sponge / Covers		1	107267							
10	Steering Shaft	自制	1	109764							
11	Locknut; M10*1.5	M10*1.5	1	105255							
12	Steering Shaft		2	102418							
13	Steering Shaft Spacer;	Φ14*Φ11*39.5	2	600650							
14	Throttle Cable;	750mm*84mm	1	102527							
15	Front Brake Cable; 1000mm*82mm (39.37"*3.23")	1000mm*82mm	2	102132							
16	Tie Rod Assembly; 160mm (6.29")	160mm	2	101520							
17	Spring Washer	M10	4	104867							
18	Castle Nut;	M10*1.25	4	600636							
19	Cotter Pin; φ2.5*30	φ2.5*30	5	105338							
20	Hex Flange Bolt; M10x1.25x50	M8*1.25*50	2	105013							



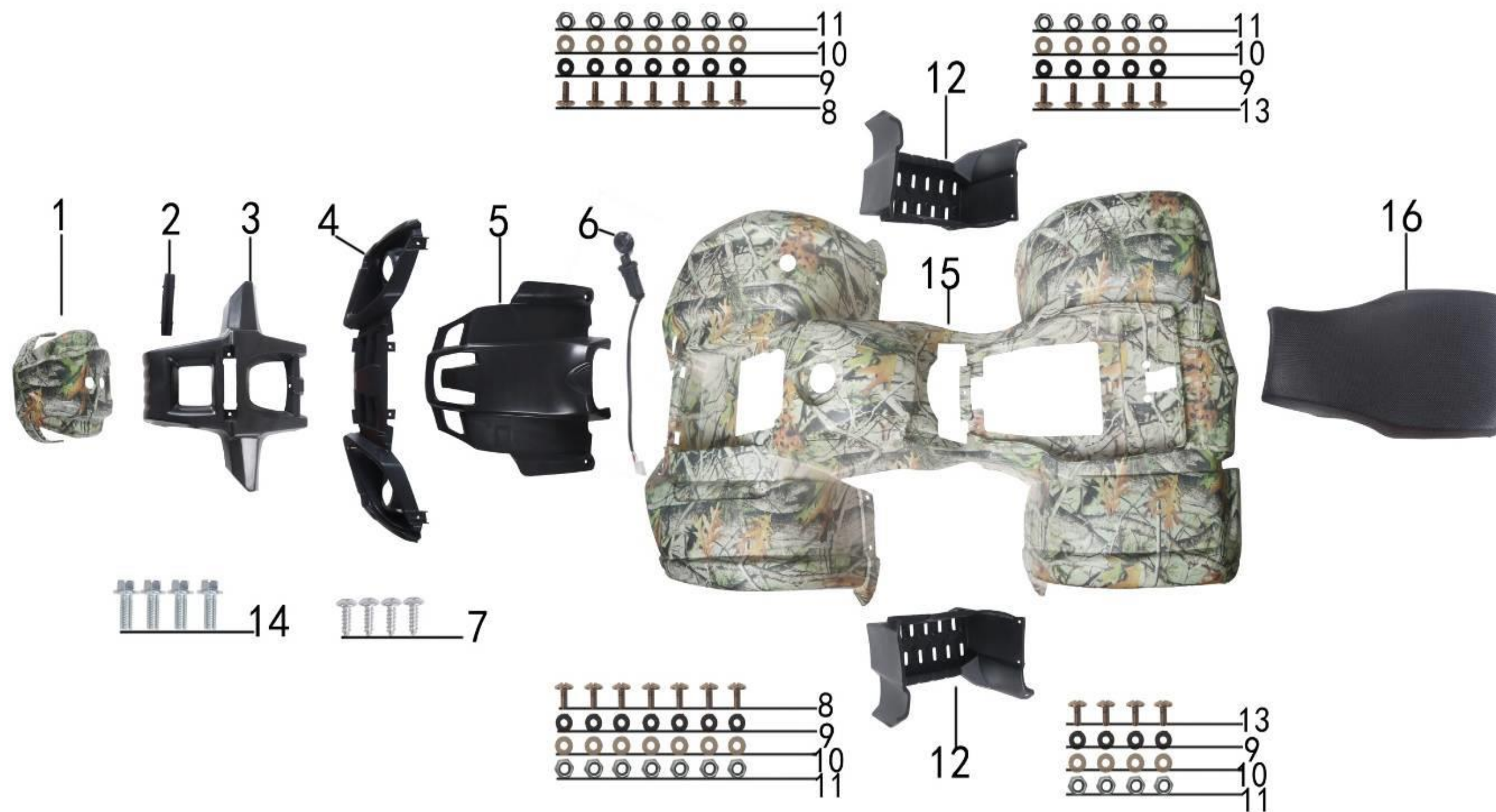
Front suspension system											
No.	English name	Specification	Qty	ERP No.	No.	English name	Specification	Qty	ERP No.		
1	Hex Flange Bolt; M10×55×1.25	M10×55×1.25	8	105015	17	Castle Nut; M14×1.5	M14×1.5	2	105326		
2	A-Arm Bushing; φ24×φ10×33	φ24×φ10×33	8	101352	18	Steering Knuckle		2	102886		
3	Locknut; M10×1.25	M10×1.25	8	105254	19	Lower Left A-Arm	自制	2	110005		
4	Upper Left A-Arm for ATA 125 D	自制	2	109962	20	Rim- Front; 7"	7寸大孔	2	110118		
5	Castle Nut;	M10×1.25	8	105320	21	Valve Stems	通用	2	100537		
6	Flat Washer; φ20×φ10×1.5	φ20×φ10×1.5	4	105393	22	Fron	16×8-7	2	102747		
7	Spring Washer; M10	M10	4	104868	23	Locknut; M10*1.5	M10×1.5	6	105255		
8	Cotter Pin; φ2.5*30	φ2.5×30	4	105338							
9	Drum Brake	90#	2	102770							
9-1	Drum Brake Backing Plate		1	111983							
9-2	Brake Spacer- Drum;	φ22Xφ17X29	1	111929							变更说明:
9-3	Brake Spacer- Drum;	φ22Xφ17X8.5	1	111930							
9-4	Brake Shoe		2	111984							
9-5	Oil Seal for 110cc ATV Drum Brake		2	111932							
9-6	Drum Brake Bearing; 6003	6003	2	111933							
9-7	Drum Brake Hub for 10" Rim; 10"		1	111985							
10	Locknut; M10×1.25	M10×1.25	4	105254							
11	Flat Washer; φ20×φ10×1.5	φ20×φ10×1.5	6	105393							
12	Hex Flange Bolt; M10x1.25x40	M10×40×1.25	4	105006							
13	Spring Coil Suspension(Single); 275mm	295mm	2	101934							
14	Dust Cover	通用	2	108326							
15	Cotter Pin	φ3×40	2	105340							
16	Flat Washer; φ14*φ40*2	φ40×φ14.2×1.8	2	105414							



Frame and Engine system												
No.	English name	Specification	Qty	ERP No.	No.	English name	Specification	Qty	ERP No.			
1	Rack-Front	自制	1	109917	23	Hex Flange Bolt;	M10×25	4	104985			
2	Cross Mushroom Head Screw; M6×16	M6×16	4	105536	24	Locknut; M10×1.25	M10	4	105254			
3	Rack Supporting Bracket- Front	自制	2	109662	25	Engine Sprocket Covers	110通用	1	110975			
4	Lug Nuts; M8	M8	7	105276	26	Hex Nut; M8×20	M8×20	2	105712			
5	Hex Flange Bolt; M8×20	M8×20	8	105204	27	Gear Shifter Handle	DNR	1	101088			
6	#428 Drive Chains; #428 90 Links	428# 90节	1	101634	28	Locknut; M12×1.75	M12×1.75	1	105262			
7	Front Bumper	自制	1	109895	29	Gear Shifter	自制	1	109665			
8	Front Bumper	M8×14	2	105188	30	Hex Flange Bolt; M6×20	M6×20	1	105141			
9	ATV Foot Brake Pedal	自制	1	109943	31	110CC Auto w/Reverse Elec	1+1倒档	1	602105			
10	Hex Flange Bolt; M8×14	M8×14	1	105187	32	Rubber Washer; Universal	通用	1	化油器带			
11	Spring Washer; M8	M8	1	104883	33	Intake Manifold Gasket		1	106945			
12	Brake Pedal Return Spring		1	104647	34	Intakes Manifold; Metal Color	通用	1	103050			
13	Brake Switch Spring		1	600539	35	Hex Nut; M8×25	M8×25	4	进气管带			
14	Main Frame	自制	1	109687	36	Carburetor; PZ20	PZ20	1	101332			
15	Rear Disk Brake Assembly; 500mm*105mm	500mm*105mm	1	100742	37	Air Filter-Cone Shaped	锥形	1	101495			
15-1	Brake Caliper		1	112004	38	Hex Flange Bolt; M8×115	M8×115	1	104925			
15-2	Rear Brake Line; 850mm (33.46")	850mm	1	111720	39	Lug Nuts; M8	M8	2	105276			
15-3	Brake Pad		1	111719	40	Hex Flange Bolt; M8×105	M8×105	1	104928			
15-4	Foot Brake Master Cylinder; 125mm (4.92 in)	125mm	1	111995	41	Hex Flange Bolt; M8×1.25×16	M8×25	1	105195			
16	Cylindrical Dowel Pin	φ6×18	1	600651	42	Spring Washer; M8	M8	2	104883			
17	Cotter Pin; φ2.5×30	φ2.5×30	1	105338	43	Flat washer; φ13×φ8.5×1	φ13×φ8.5×1	1	105460			
18	Hex Flange Bolt; M6×20	M6×20	2	105140	44	Muffler Assembly	外购	1	600537			
19	Hex Flange Bolt; M8×14	M8×14	2	105187	45	Muffler Gasket, OD: 31.5mm ID: 22.5mm		1	102419			
20	Brake Disk Spacer; φ16*φ11*5.5	φ16*φ11*5.5	2	600646	46	Check Nut; M6	M6	2	600724			
21	Rear Lifter	自制	1	109843								
22	Rack-Rear	自制	1	109801								



Electric and oil supply system												
No.		English name	Specification	Qty	ERP No.		No.		English name	Specification	Qty	ERP No.
1		Headlight Assembly		2	108094		25		Hex Flange Bolt;	M8×30	2	105218
2		Tether Switches		1	109334		26		Lug Nuts; M8	M8	2	105276
3		Spark Plug Coil		1	101008		27		Fuel Tank; @50	50螺纹口	1	102297
4		Wire Harness	自制	1	102870		28		Fuel Tank Panel Washer		2	600710
5		12V Battery for ATVs; 12V 5Ah	12V5Ah	1	100677		29		Flat Washer; φ16×φ6.3×1.5	φ16×φ6.3×1.5	2	101701
6		Anode Wire	自制	1	主电缆带		30		Locknut; M6	M6	2	105273
7		Anode Wire	自制	1	主电缆带		31		Hex Flange Bolt; M6x20	M6×20	1	105141
8		Tail Lights Assembly		1	100263		32		Gear Indicator Light; 4 lose wire	红绿	2	102766
9		Brake Switch	通用	1	102128							
10		Relay for All ATVs		1	101384							
11		CDI		1	100667							
12		Regulator		1	100730							
13		Hex Flange Bolt; M6×16	M6×16	3	105136							
14		Locknut; M6	M6	5	105273							
15		Alarm Siren		1	100394							
16		Self-tapping Screws; S4.2x12	S4.2×12	4	104826							
17		Gas Cap Vent Tube	通用	1	600566							
18		Fuel Tank Cap	通用	1	101678							
19		Fuel Line; φ4.5*φ8.5*100	φ4.5*φ8.5*100	4	100269							
20		Fuel Line; φ4.5*φ8.5*200	φ4.5*φ8.5*200	2	100271							
21		Circlip; Φ8	Φ8	12	101449							
22		Fuel Filter Universal	通用	2	600801							
23		Fuel Shut off Valve / Petcock	通用	1	102241							
24		Hex Socket Bolt; M6x16	M6*16	1	105797							



Plastic cover														
No.		English name	Specification	Qty	ERP No.		No.	Chinese name	English name	Specification	Qty	ERP No.	Price	
1		Gear Indicator Cover-Painted	喷漆	1	601776		1							
		Gear Indicator Cover-Printed for ATA 250 D and	水转印	1	601888									
		Gear Indicator Cover-Original Color	本色	1	601734									
2		Plastic decorative parts in the bumper	PP		600661									
3		Plastic Bumper-	PP	1	106249		2							
4		HeadLight Trim	PP	1	106004									
5		Face Panel	PP	1	100990		3							
6		Ignition Key Switch For 110cc Utility ATVs; 4 Wire Male Plug		1	100699		4							
7		Self-tapping Screws; S4.2x12		4	104826									
8		Cross Mushroom Head Screw;		14	105536									
9		Rubber Washer; φ16×φ6.3×2		23	600581									
10		Flat Washer; φ16×φ6.3×1.5		23	101701									
11		Locknut; M6		23	105273									
12		Left and Right Footrest	PP	1	101420									
		Left and Right Footrest	PP	1										
13		Cross Mushroom Head Screw; M6×16		9	105536									
14		Hex Flange Bolt; M8x16		4	105950									
15		One Piece Body-Painted w/Trim		1	103129									
		One Piece Body-Painted w/Trim		1	601773									
		One Piece Body-Water Transfer Printing		1	103134									
		One Piece Body-Tree Camo Water Transferring Printing		1	109277									
16		Seat		1	107978									

